

# Square and Round Beveled Trims for 4" Element

E4\_B\_ 1.1

## VISUAL COMFORT & Co.

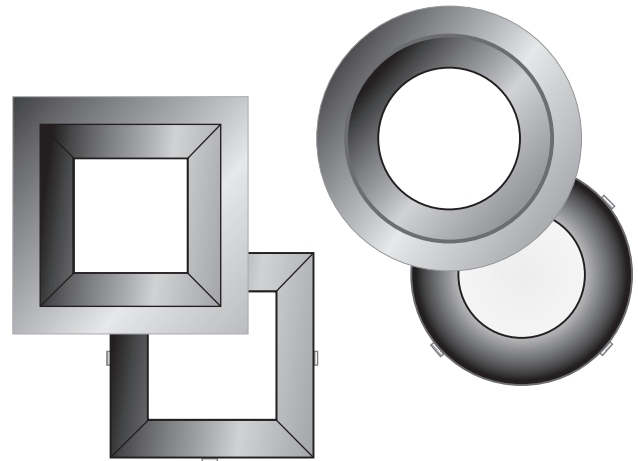
ARCHITECTURAL COLLECTION

### GENERAL PRODUCT INFORMATION:

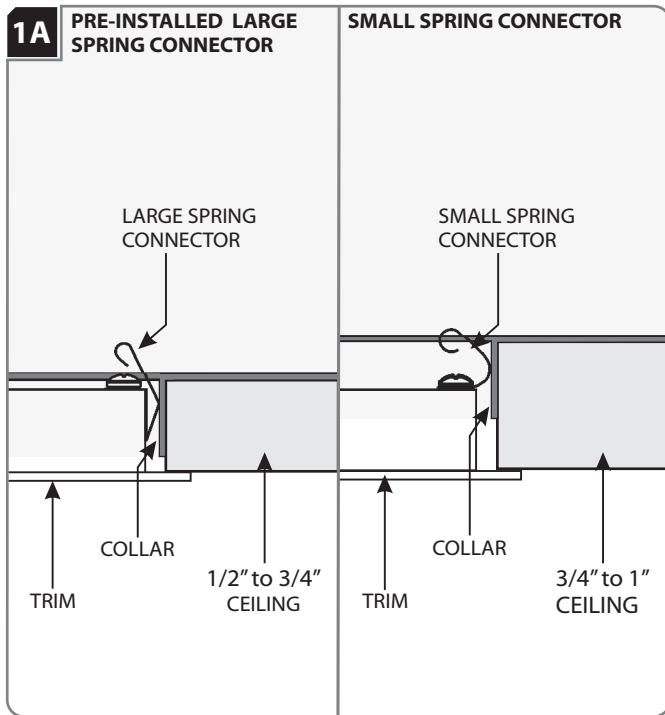
This product is suitable for indoor locations.



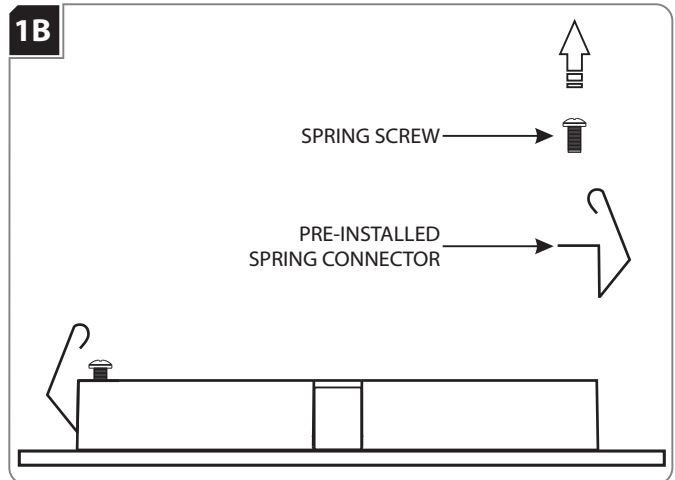
**SAVE THESE INSTRUCTIONS!**



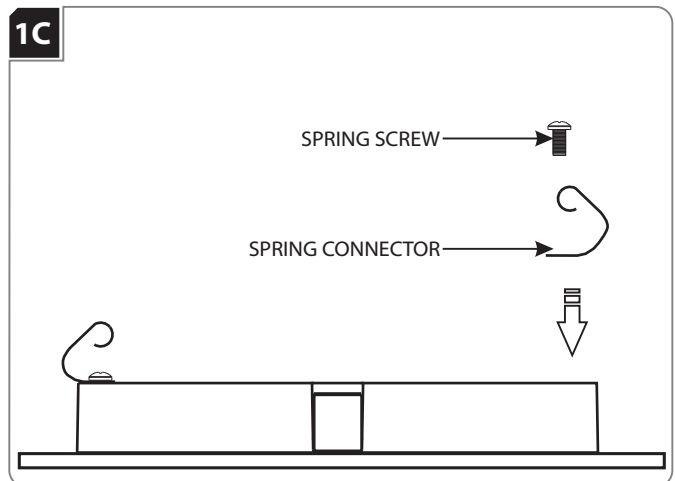
### Preparation for Installation



- 1 The pre-installed springs are intended for ceiling thicknesses from 1/2" to 3/4". Skip to section 2A if the ceiling thickness is 1/2" to 3/4".
- 2 For ceiling thicknesses from 3/4" to 1", follow the rest of this section to replace the trim springs.



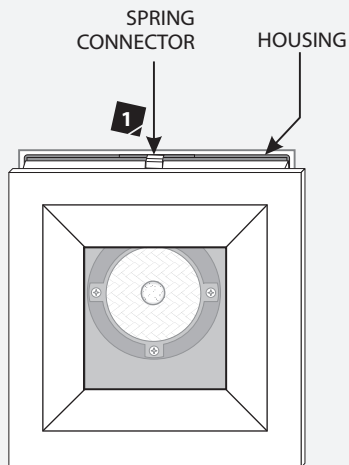
- 3 Replace the pre-installed spring connectors by removing the spring screws.



- 4 Install the small spring connectors and secure them by reinstalling the spring screws.

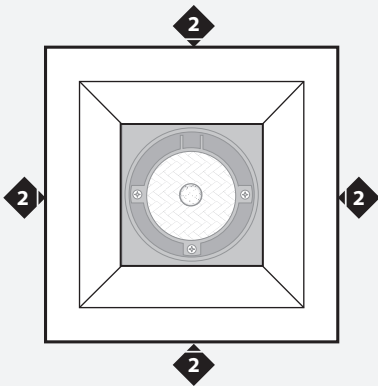
## Install the Trim

2A



- 1 Align the trim spring connectors with the inner edge of the housing.

2B



- 2 Gently push the trim into the housing so that the four spring connectors snap into place.

**NOTE:** For flangeless trims, the spring connectors on the trim snap into the plaster plate.

